

DACOR
MANUFACTURING, LLC.

DACOR
MANUFACTURING, LLC.

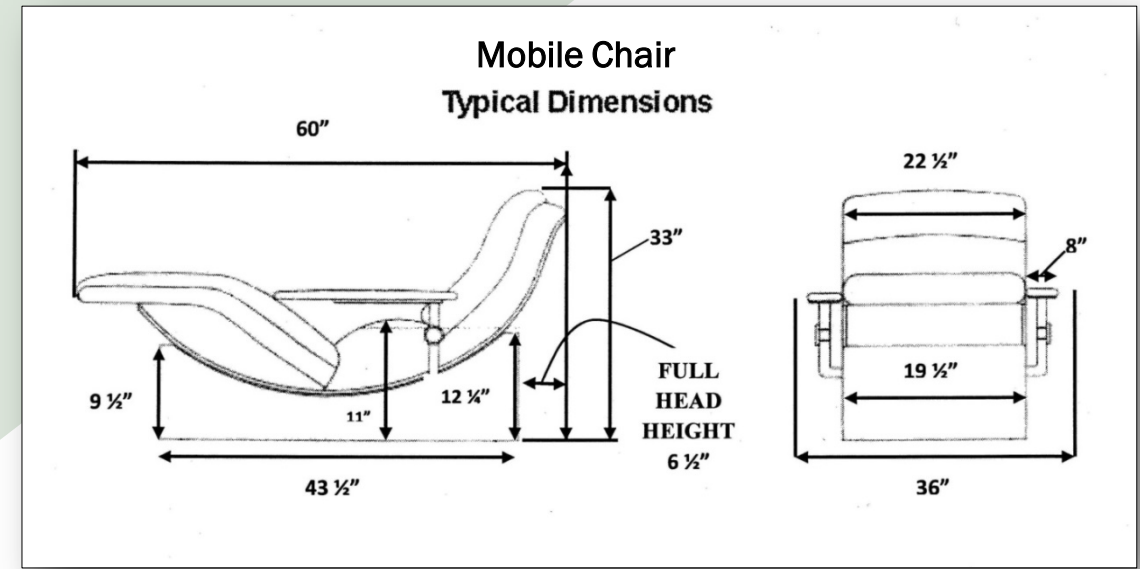
2061 Hitzert Ct
Fenton MO 63026 USA
Toll Free: 1-877-923-2267
www.dacormfg.com

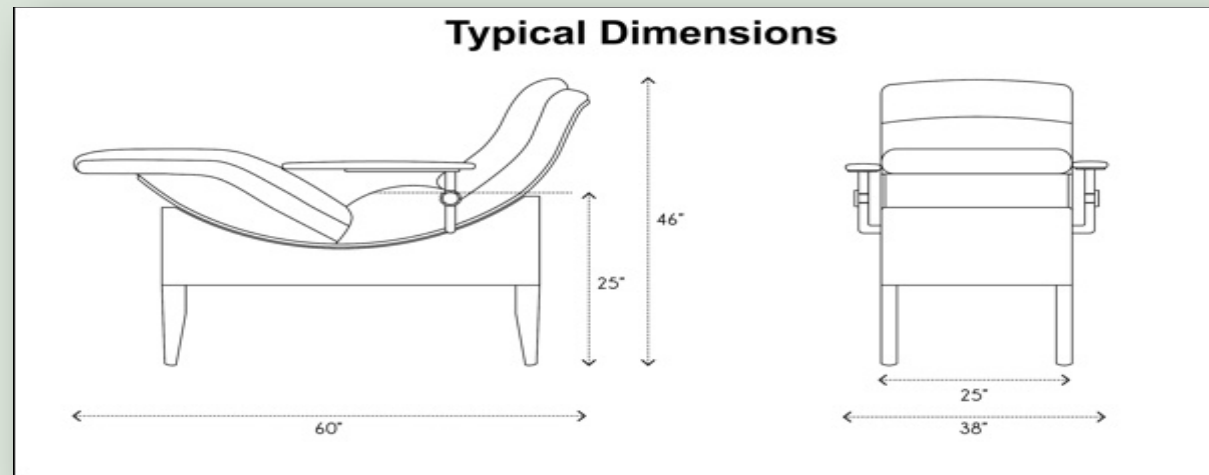


Ultimate in Patient Comfort

DACOR MANUFACTURING LLC has been TOP RATED in the production of blood donor chairs, having over 50+ years of experience in producing quality, commercial-grade, healthcare furniture. DACOR BLOOD DONOR CHAIRS are ultimate in superb comfort, durability and design. DACOR Blood Donor Chairs are designed and manufactured by skilled craftsmen. We only use the most high-quality materials, constructed in an ergonomic design, that gives donors/patients, the most comfortable conditions for long treatments. These chairs provide years of trouble-free service in a variety of applications such as...

- MED SPA & DERMATOLOGY
- INFUSION & VASCULAR CENTERS
- PLASMA CENTERS
- STEM CELL RESEARCH CENTERS
- BLOOD DONATION AND APHERESIS
- CLINIC & PREVENTATIVE OFFICES
- DIALYSIS CENTERS





Dimensions: 60" L x 25"W x 46"H, Seat Height: 25"(63.5)H

Weight Capacity: maximum 375lbs./170kg, Dacor has available a 500lbs. and 700lbs, Bariatric model chairs, 31" in width, to comfortably accommodate those Donors in need of a larger chair.

- FDA 510K (EXEMPT), Class 1, Registration #1932952
- FDA, Certificate of Foreign Government, Cert. #27428-11-14
- UL 962, Standard of Safety, "Household and Commercial Furnishings" Cert. #20140415-E68232 with addition of Canada to existing listing updated 4-15-15
- CE Mark, Standards for Household and similar Appliances, EMC and Safety: EMC:EN550141-1:2006, EN55015-2: 1997 & EN61000-3-3:1995with Amendments A1:2001, A2:2005), EN62233:2008
- Safety: Part 1 General Requirements, EN60335-1:4.1 edition:2001 Including Corrigendum 1:2002 + A1:2004
- CE Mark, Standards for Medical Device, EMC and Safety: EMC:IEC60601-1-1:2007, IEC61000-3-2:2014, IEC61000-3-3:2013, EN60601-1-2:2007 to Inc. AC:210, EN61000-3-2:2006 to Inc. A2:2009, EN61000-3-3:2013
- Safety: Medical Electrical Equipment Part 1: Generated for Safety: IEC60601-1(3.1 Edition) + A1 2012 and/or EN60601-1(2006 Edition) + A12 2014, Performance of Medical Beds IEC60601-2-52:2009
- Medical Device Class 1

WARRANTY

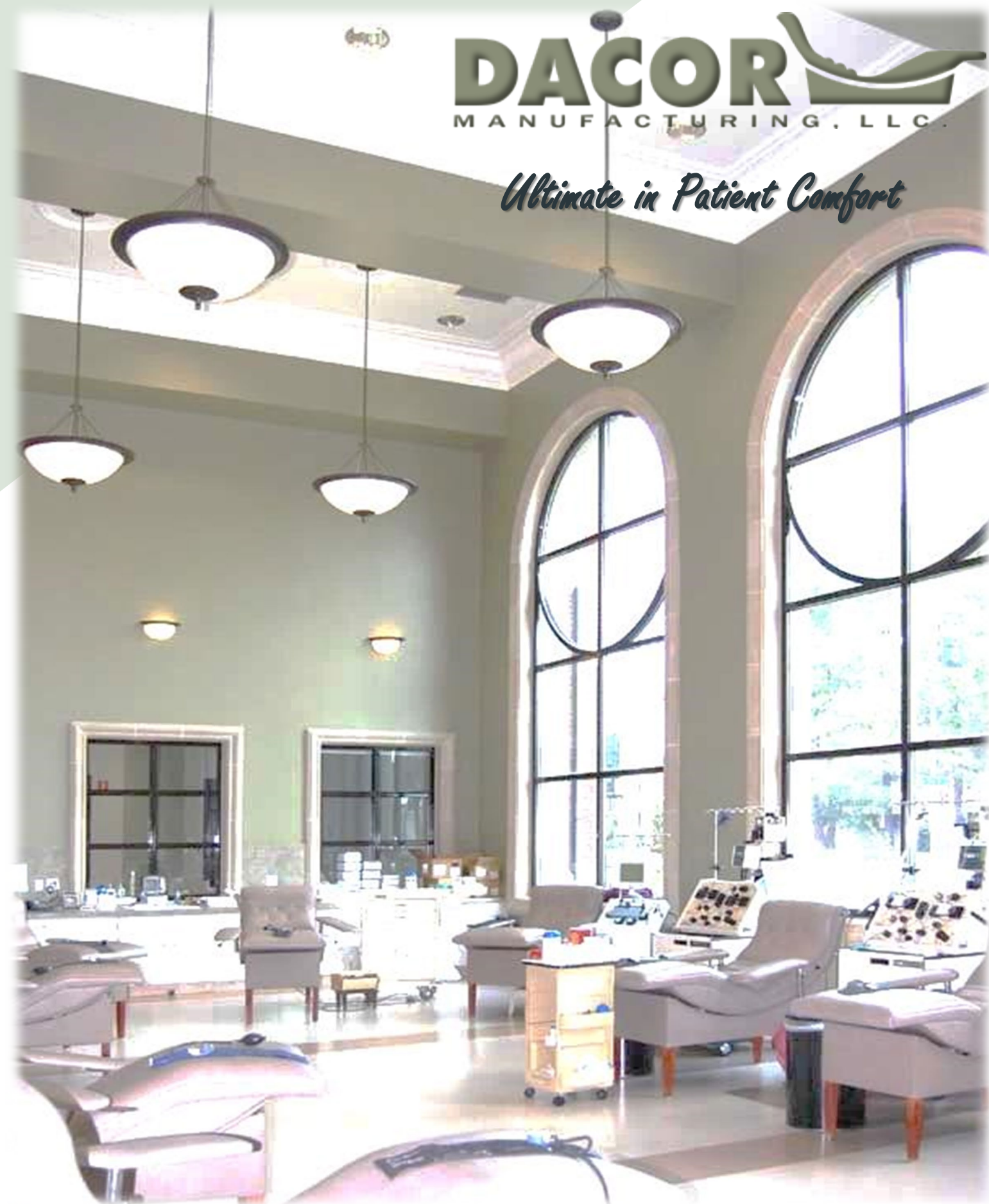
Dacor Manufacturing, LLC, warrants the product to be free from any defects in materials and workmanship and will function properly for a period of one (1) years from the date of delivery to the original purchaser. The warranty extends only to the original purchaser and is not assignable or transferable. Dacor does not warrant fabric or other covering against fading, improper cleaning (see 4.0 Cleaning), or excessive wear, nor does it warrant against damage resulting from accident, misuse, negligence, improper handling or operation, shipping damage, abuse, or unauthorized repairs made or attempted by the purchaser. Dacor's sole obligation shall be limited to repair or replace, at Dacor's option and expense, of the defective part or unit for a period of one (1) year following the date of initial delivery.

SERVICE

Minimal preventative maintenance necessary, such as, at the least doing an annual inspection of the chair is recommended, making sure there is no damage to the electrical cord or chair vinyl.

If service is required, call the authorized representative from the Dealer who you purchased it from, or Dacor. When calling please be prepared to provide product code number and serial number of the chair.

If the supply power cord is damaged, it must be replaced by the manufacturers certified parts and repaired by a certified licensed Electrician. **Dacor will not be responsible for unauthorized returns or units damaged in shipping due to improper packaging.**





ABOUT OUR PRODUCTS

ALL OF OUR MOTORIZED BLOOD DONOR CHAIRS USE A 24 VOLT MOTOR SYSTEM THAT CAN ACCOMMODATE ANY ELECTRICAL CONNECTION WORLDWIDE TO BE USED IN 110V UP TO 230V SYSTEMS.

AN ADJUSTABLE ACTUATOR MOTOR OR MANUAL LEVER PROVIDES SMOOTH POSITIONING.

EASY ADJUSTABLE ARM PADS, FOR DONOR AND CAREGIVER COMFORT.

ALL DACOR BLOOD DONOR CHAIRS ARE HAND CONSTRUCTED, WITH AN ALL-HARDWOOD FRAME.

DACOR CHAIRS ARE RATED AS FINE FURNITURE AND ARE ERGONOMICALLY DESIGNED FOR COMFORT USING A SINUOUS SPRING SYSTEM, A FABRIC LINER OF FLEXILATORS, (WHICH ACT AS AN INSULATOR AND STABILIZER OVER THE SPRINGS) AND SEVERAL LAYERS OF PREMIUM FOAM FOR MAXIMUM COMFORT.

OUR CHAIRS GO ABOVE AND BEYOND INDUSTRY STANDARDS IN THE MATERIALS AND CONSTRUCTION WE USE, (IN-WHICH MOST OF THE SUPPLIERS, ONLY USE A 3" FOAM, GLUED TO PLYWOOD). ALL COMPONENTS INCLUDING THE FOAM, AND OUR TOP-QUALITY, CONTRACT-GRADE VINYL PASS CALIFORNIA TB 117 ON FLAMMABILITY.

A WIDE SELECTION OF VINYL COLORS ARE AVAILABLE FOR YOUR BLOOD DONOR CHAIRS.

2061 Hitzert Ct
Fenton MO 63026
1-877-923-2267
www.dacormfg.com

UPHOLSTREY COLOR OPTIONS



OVER 5 STYLES AND 200 COLORS TO CHOOSE FROM

DACOR Chairs only use high-quality contract grade vinyl. Easy to disinfect for patient safety. Over 200 vinyl options to choose from. Flame Retardancy: California T.B 113 or 117-2013, Boston Fire Code: BFDI-1.

SILVERTEX

spradlingvinyl.com/product/stx-8841-zest/

RENAISSANCE

spradlingvinyl.com/product/ren-9214-steel-blue/

WHISPER

spradlingvinyl.com/product/whi-2151-ochre/

PATRIOT PLUS

spradlingvinyl.com/product/pat-8542-royal/

SPIRIT MILLENNIUM

www.naugahyde.com/catalog/index.cfm?secID=20

Ultimate in Patient Comfort

Due to the amount of fabrics offered, please refer to the links above to choose colorways. Contact us if you need color cards mailed to you. Call toll free 1(877)923-2267

DACOR CHAIRS ARE TIMELESS

ACCESSORIES & ADD-ONS



SBS4500 Base with Pull Out Step



BDR-1 Built-In Utility Drawer



SS4500 Storage Shelf



WL4500 Finished Maple Legs



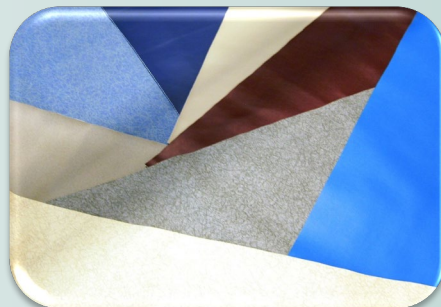
TRB01 Trendelenburg Base- low, mid and full positioning settings



DB25 Drawer Cabinet w/Flip Shelves on rollers(Set conveniently in front of the chair)



CA-4 Total Locking Casters



over 200+ vinyl swatches to choose from



4R4/5R5999 Head & Foot Covers



5R5211 Original Blood Donor Chair w/added wood legs



NEW
3R3 Manual Bloodmobile Chair

5R5211 Bariatric Blood Donor Chair



Ultimate in Patient Comfort



4R4211 Original Blood Donor Chair



4R4201 Manual Bloodmobile Chair



5R5211TAB Android Media Center w/ added wood legs

UM-02 Motorized Universal Bloodmobile Donor Chair



5R5210 E-Chair w/ added wood legs

5R5211MM Multimedia Chair w/added wood legs

**All Chairs come either Manual or Motorized. Except the bariatric chair only comes Motorized

4R4211 Original Blood Donor Chair

The 4R4 is our original blood donor chair that provides every patient and donor exceptional comfort during long treatments in a variety of applications. After 50 years in the industry, this model chair is still built by hand using high quality materials, and ergonomically constructed, which provides relief to the body's pressure points. .



Available in model#:
4R4211 (115V.)
4R4213 (220V.)
4R4201 (Manual)

**the 4R4 model has a structured back with added button

COMPLIANCE STANDARDS

- *CE SAFETY STANDARDS FOR MEDICAL ELECTRICAL EQUIPMENT PART 1
- *CE DIRECTIVE 93/42/EEC FOR MEDICAL DEVICES
- *CE SAFETY STANDARDS FOR MEDICAL ELECTRICAL EQUIPMENT HOSPITAL BEDS PART 2-52
- *CERTIFIED UL AND UL CANADA
- *FDA APPROVED

Weight Capacity	Ship Weight	Length	Width	Head Height	Foot Height	Seat height
375 lbs	176 lbs	60"	38"	46"	38"	25"

UM-02 (MOTORIZED) Universal Bloodmobile Chair

Reversible direction to accommodate RIGHT or LEFT- handed donors



-Weight Limit: 375lbs
-Size: 69"L x 22"W x 33"H
-Weight of Chair: 125lbs

BLOODMOBILE CHAIRS

- Meets all current UL, UL-Canada, CE, FDA Certifications
- Hardwood crafted frame w/ Sinuous spring system and under liner
- 5 Position adjustable manual chair or multi-position motorized
- High-grade vinyl upholstery
- Adjustable, rotating arm rests



-Weight Limit: 375lbs
-Size: 60"L x 22"W x 33"H
-Weight of Chair: 125lbs

* Can come either Manual or Motorized

Model# 4R4/5R5M Original Bloodmobile Chair

5R5211 Bariatric Blood Donor Chair

The 4R4211BR / 5R5211BR is our bariatric blood donor chair. The DACOR Bariatric Chair allows larger patients to be comfortable during longer treatments and ergonomically designed to reduce pressure ulcers and increase blood flow. The motor, frame, base, springs and all remaining components are naturally heavier to help support any additional weight rating. The Bariatric Blood Donor Chair is 6" wider than our standard blood donor chair, and it has 2 added legs to the center of the base for extra support.



Available in model#:
5R5211 (115V.)
5R5213 (220V.)
4R4211 (115V.)
4R4213 (220V.)

**the 4R4 model has a structured back with added button design and The 5R5 model has a smooth pillow-back design

*Available 500lb weight capacity

COMPLIANCE STANDARDS

- *CE SAFETY STANDARDS FOR MEDICAL ELECTRICAL EQUIPMENT PART 1
- *CE DIRECTIVE 93/42/EEC FOR MEDICAL DEVICES
- *CE SAFETY STANDARDS FOR MEDICAL ELECTRICAL EQUIPMENT HOSPITAL BEDS PART 2-52
- *CERTIFIED UL AND UL CANADA
- *FDA APPROVED

Weight Capacity	Ship Weight	Length	Width	Head Height	Foot Height	Seat Height
500lbs	211 lbs	60"	43"	46"	38"	25"

5R5211 Original Blood Donor Chair

The 5R5 is our original blood donor chair that provides exceptional comfort with a smooth, pillow-back design. Using the same attributes and comforts that our 4R4 model offers, the 5R5 continues to be top rated in the donor bed category and shipped worldwide.

Available in model#:
5R5211 (115V.)
5R5213 (220V.)
5R5201 (Manual)



*SHOWN with added Wood leg option

**The 5R5 model has a smooth pillow-back design

COMPLIANCE STANDARDS

- *CE SAFETY STANDARDS FOR MEDICAL ELECTRICAL EQUIPMENT PART 1
- *CE DIRECTIVE 93/42/EEC FOR MEDICAL DEVICES
- *CE SAFETY STANDARDS FOR MEDICAL ELECTRICAL EQUIPMENT HOSPITAL BEDS PART 2-52
- *CERTIFIED UL AND UL CANADA
- *FDA APPROVED

Weight Capacity	Ship Weight	Length	Width	Head Height	Foot Height	Seat height
375 lbs	176 lbs	60"	38"	46"	38"	25"

DO THE AMAZING.

HELP SAVE LIVES.

3R3 BLOOD/PLASMA Donor Chair



Available in model#:
3R3211 (115V.)
3R3213 (220V.)
3R3201 (Manual)

***Model shown here
With Built-in Storage Shelf SS4500

3R3 MOBILE Blood/Plasma Donor Chair



Available in model#:
3R3211M (115V.)
3R3213M (220V.)
3R3201M (Manual)

Ultimate in Patient Comfort

COMPLIANCE STANDARDS

- *CE SAFETY STANDARDS FOR MEDICAL ELECTRICAL EQUIPMENT PART 1
- *CE DIRECTIVE 93/42/EEC FOR MEDICAL DEVICES
- *CE SAFETY STANDARDS FOR MEDICAL ELECTRICAL EQUIPMENT HOSPITAL BEDS PART 2-52
- *CERTIFIED UL AND UL CANADA
- *FDA APPROVED

The **3R3 Model** is our Blood/Plasma donor chair. The DACOR plasma chair has a simple stationary design, great for both blood and plasma donation centers. You can choose a Stationary, Manual or Motorized, adjustable chair models. All models available in the standard size or bloodmobile size. We use "All Structural" plywood, hardwood frame construction that is handcrafted and custom built to order. Choose between 200 high-quality contract grade vinyl, that is east to disinfect for patient safety. All exposed metal parts are chrome plated for easy cleaning and durability.

BUILT-IN TECHNOLOGY

“All while making a life-saving blood donation!”



5R5211MM Multimedia Chair

This Multimedia blood donor chair is an enhanced version of our popular Model 4R4 /5R5 blood donor chair and offers state of the art multi-media entertainment and internet access.

*laptop not included

- Monitor + Shelf
- Built-In DVD player
- Counter-balance boom arm

The DACOR **4R4/5R5210 E-Chair** is an ergonomically designed contoured blood donor chair that offers state of the art, multi-media entertainment and internet access. The chair provides every patient and donor exceptional comfort and entertainment during long treatments.

- Watch TV/DVD
- Listen to a CD
- Play a Video Game
- Send an Email

Comes Complete with...

- Computer/Flat-screen Monitor
- Counter-balance boom arm
- Wireless Mouse
- Head Phones
- Keyboard
- DVD player



5R5210 E-Chair



5R5211TAB Android Media Center

Give patients the comforts of home on a personal arm-mounted device. Our 4R4/5R5TAB model is the top of the line, contoured blood donor chair with an added all-in-one 14" arm mounted android, interactive patient display. With all the same high-end features of our original DACOR donor chair, this model chair also brings the standard TV and the freedom of the world wide web together in one device. This chair delivers expanded entertainment options with the ability to:

- Surf the web
- Watch a show from the attached Android device
- Play a Video Game
- Send an Email

*"The TAB displays and arm mounts work well and make the screen easily accessible to our patients from their dialysis recliners...The entire system provides a great service and value to our dialysis clinic." -Stan Langhofer RN, CNN American Renal Associates Rehabilitation Hospital, Salisbury, MD

*All Models Here Shown with added Wood leg option

**All models here can come either as a 4R4 or 5R5. A 4R4 model has a structured back with added button design and The 5R5 model has a smooth pillow-back design

***All models can come Manual or Motorized

Ultimate in Patient Comfort

Weight Capacity	Ship Weight	Length	Width	Head Height	Foot Height	Seat Height
375 lbs	265 lbs	70"	38"	46"	38"	25"